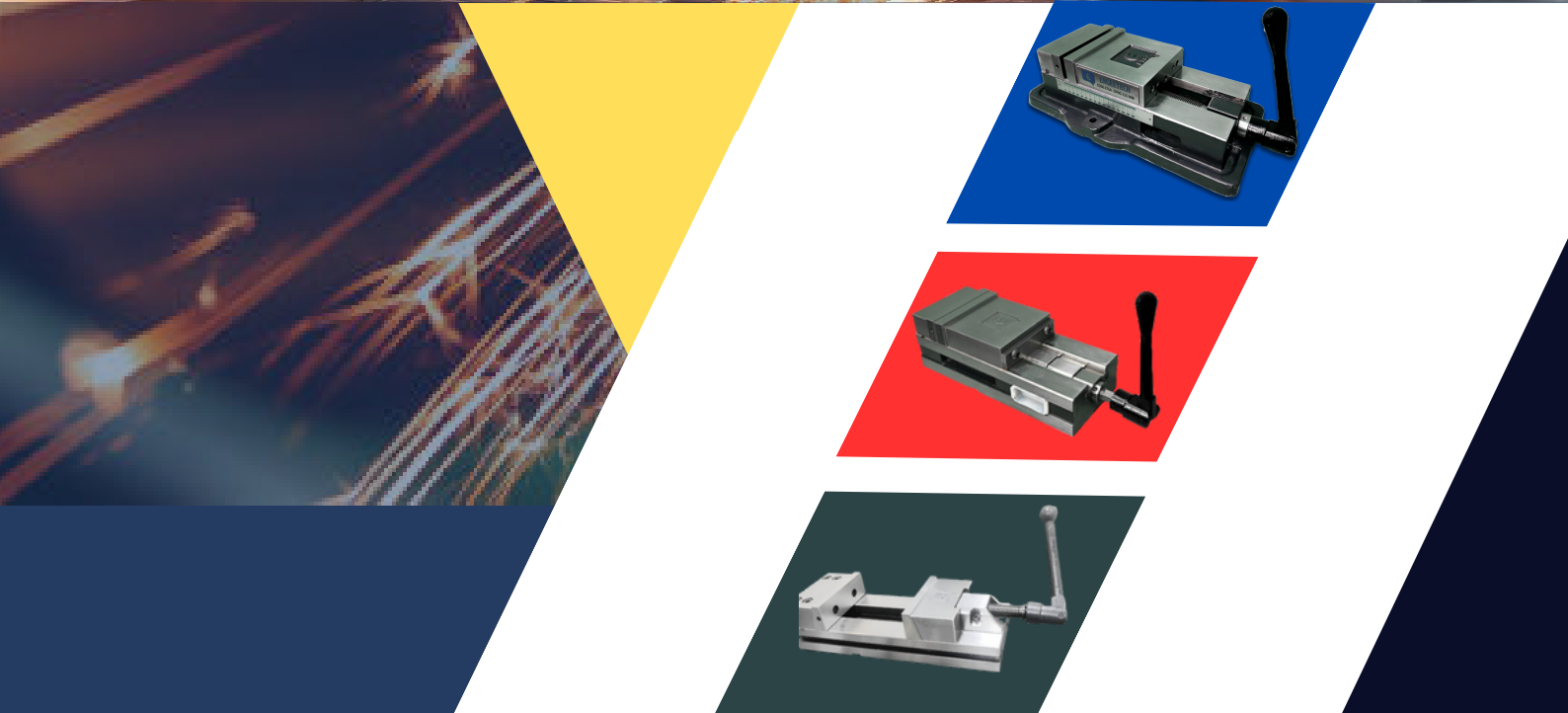
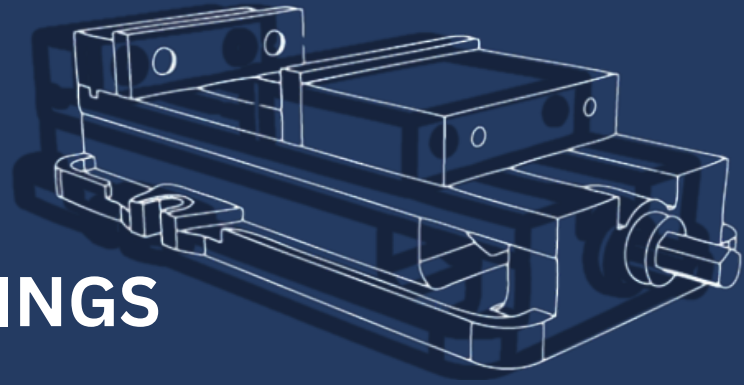


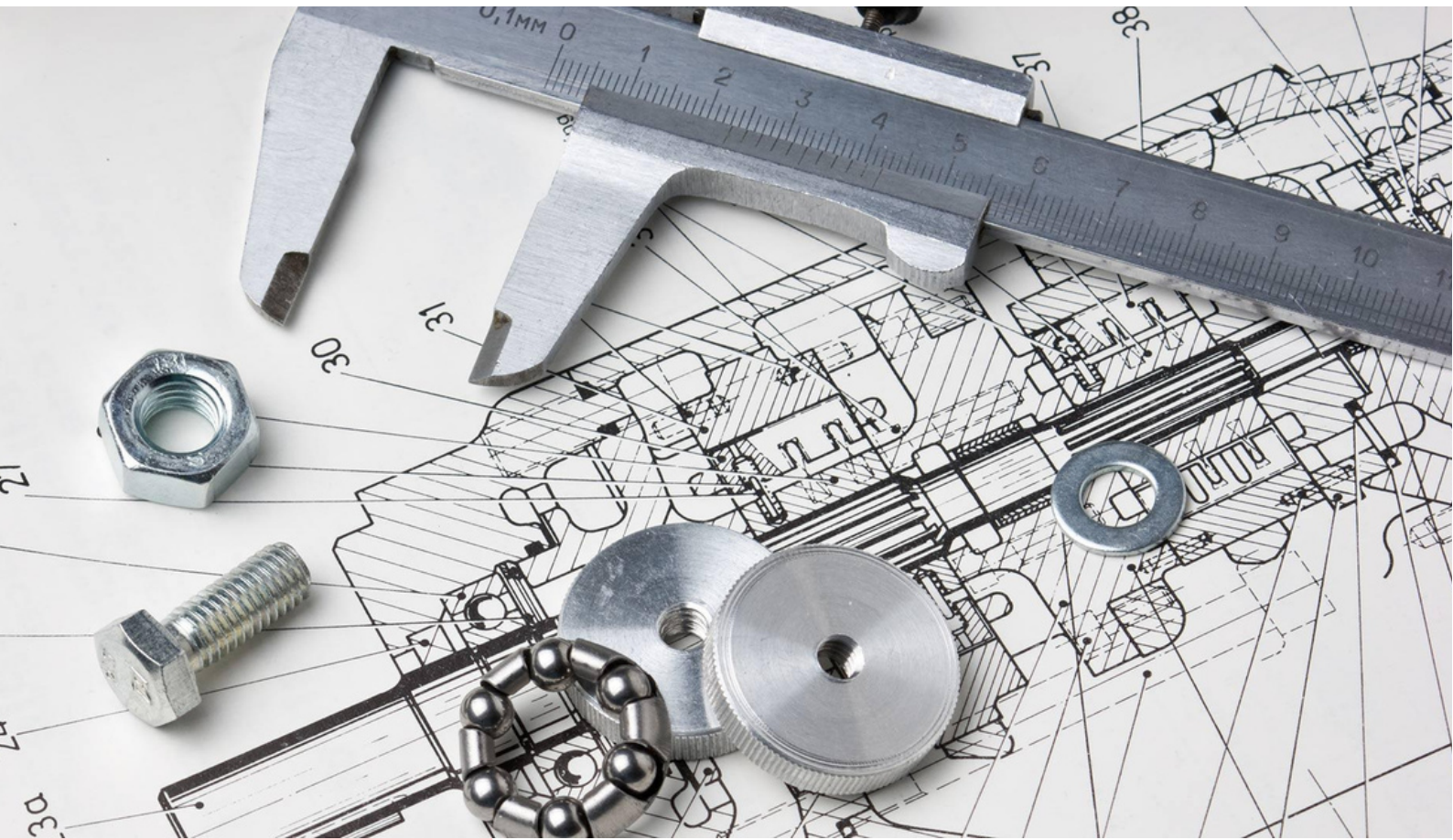


ENGEETECH ENGINEERINGS

Concept To Manufacturing

www.engeetechengineerings.com





Introduction

Incorporated in the year 2010, we, “Engeetech Engineering”, are a renowned manufacturer and supplier of Rubber Products, Fiberglass Reinforced Plastics (FRP) & Steel Metals Products. We introduce ourselves as one of the leading companies of India involved in the field of Designing, Development and Manufacturing of FRP components for Automotive, Industrial, Railway and Other Applications. Our client base spread across the spectrum is a veritable who’s who of Indian Automotive Industry.

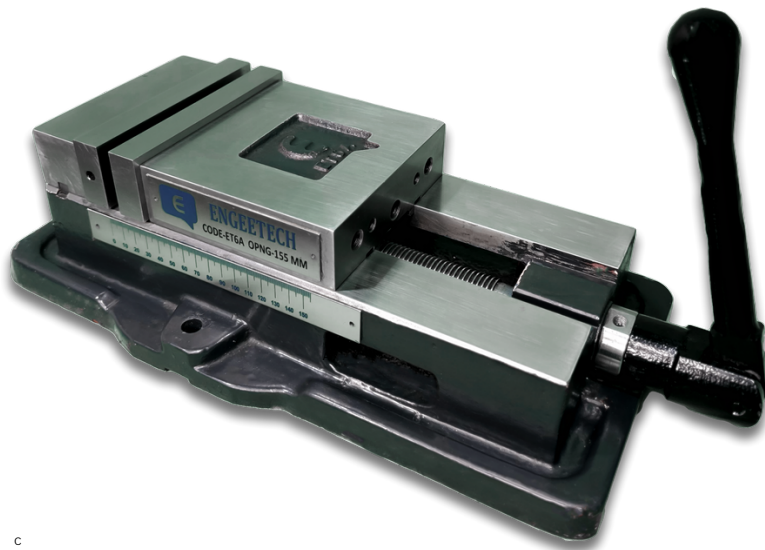
All our products are widely appreciated in the industries like automobile, textile, pharmaceutical, chemical, railways, construction & engineering. Our products are known for their attributes like anti-corrosive property, longer functional life and sturdy construction. Owing to our total quality management and large product line, we have gained strong credibility in the market. We are a legally verified as a Sole Proprietorship (Individual) firm, we are based at Indore, (Madhya Pradesh, India).

STANDARD MACHINE VISE 6"

WITH TELESCOPIC COVER



ENGEETECH



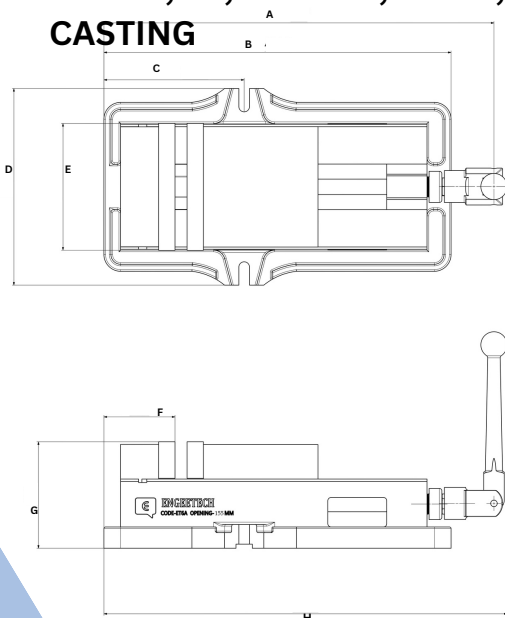
Features

- Suitable for Heavy duty cutting.
- Hardened Bad.
- High durability & high precision.
- Tolerance : 0.02/100mm.
- Lift proof : press down design.
- Four setting positions of the jaw plates are available, widening the jaw plates opening.
- ACCURACY WITHIN 0.02mm.

- STANDARD ACCESSORIES
- 1 Work Stopper
- 1 Adjustable Handle

MECHANICAL USING

SUIT FOR PROCESSING OF
BRASS, AL, PLASTIC, STEEL,
CASTING



Order No. & Dimension
(mm)

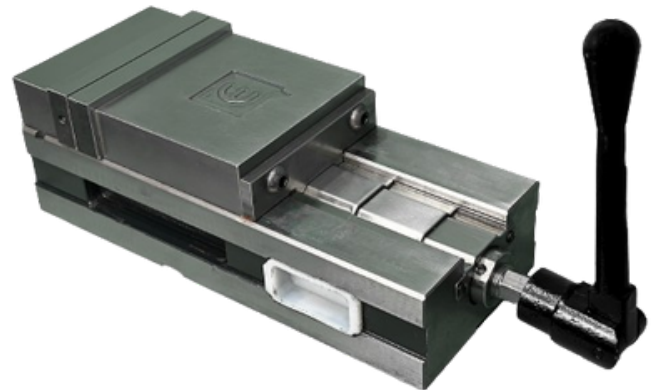
MECHANICAL TYPE

STANDARD MACHINE VISE 6" JAW OPENED 155mm

ORDER NO	A	B	C	D	E	F	G	H	MAX. Clamp Force (kgf)	G.W. (kgs)	CODE NO.
ET 01	477	425	172	240	155	87	130	495	2500	36	ET-6A

Features

- Suitable for Heavy duty cutting.
- Hardened Bad.
- High durability & high precision.
- Tolerance : 0.02/100mm.
- Lift proof : press down design.
- Unique Technology with SS304 Telescope cover to prevent maintenance and rust preventive.
- Four setting positions of the jaw plates are available, widening the jaw plates opening.
- ACCURACY WITHIN 0.02mm.



ENGEETECH CODE ET 6C

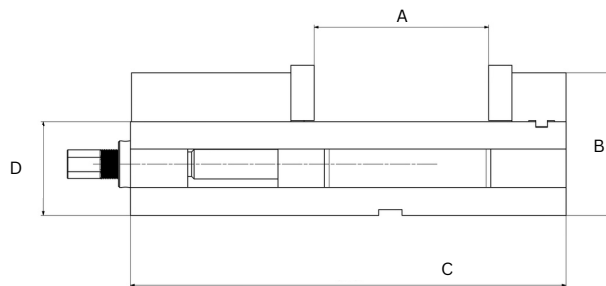
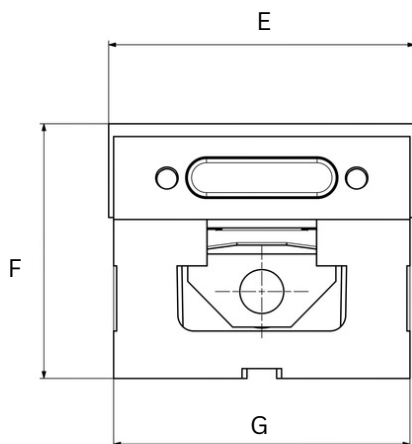
**COMPACT MODEL 6"
EXTRA PROTECT SCRAP COVER**

MECHANICAL USEING

**SUIT FOR PROCESSING OF
BRASS, AL, PLASTIC, STEEL,
CASTING**

Construction:

- High stress tensile stress Relieved quality casting, precision ground hardened and tempered bed & jaw plate Complete with Handle
- Ductile Iron Body to resist high impact load during machining



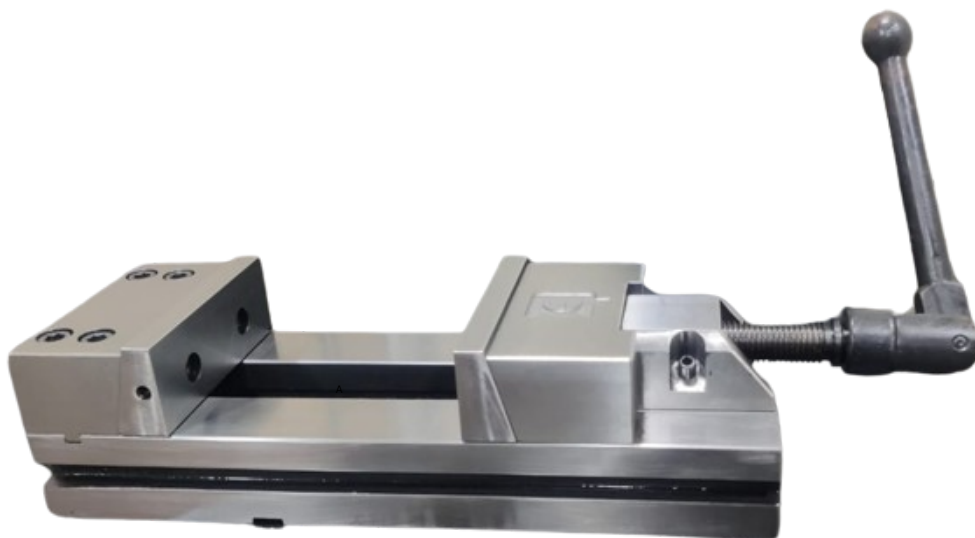
- **STANDARD ACCESSORIES**
- **1 Work Stopper**
- **1 Ajdustable Handle**

**Order No. & Dimension
(mm)**

MECHANICAL TYPE

COMPACT MACHINE VISE 6"JAW OPENED 150mm

ORDER NO	A	B	C	D	E	F	G	H	MAX. Clamp Force (kgf)	G.W. (kgs)	CODE NO.
ET 02	150	122	375	80.5	155	129	150	N/A	2500	35	ET-6C



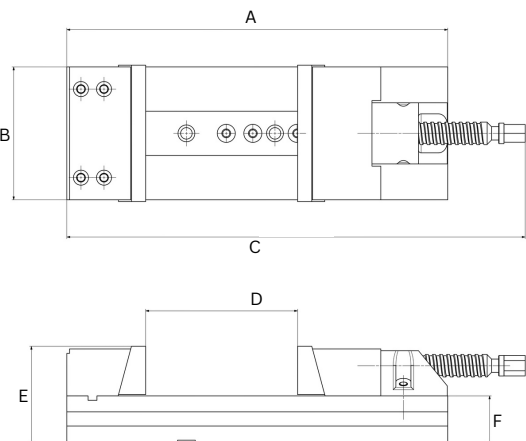
MECHANICAL USEING

**SUIT FOR PROCESSING OF
BRASS, AL, PLASTIC, STEEL,
CASTING**

Features

- Suitable for Heavy duty cutting.
- Hardened Bad.
- High durability & high precision.
- Tolerance : 0.02/100mm.
- Lift proof : press down design.
- Four setting positions of the jaw plates are available, widening the jaw plates opening.
- ACCURACY WITHIN 0.02mm.

- **STANDARD ACCESSORIES**
- 1 Work Stopper
- 1 Ajdustable Handle



MECHANICAL TYPE

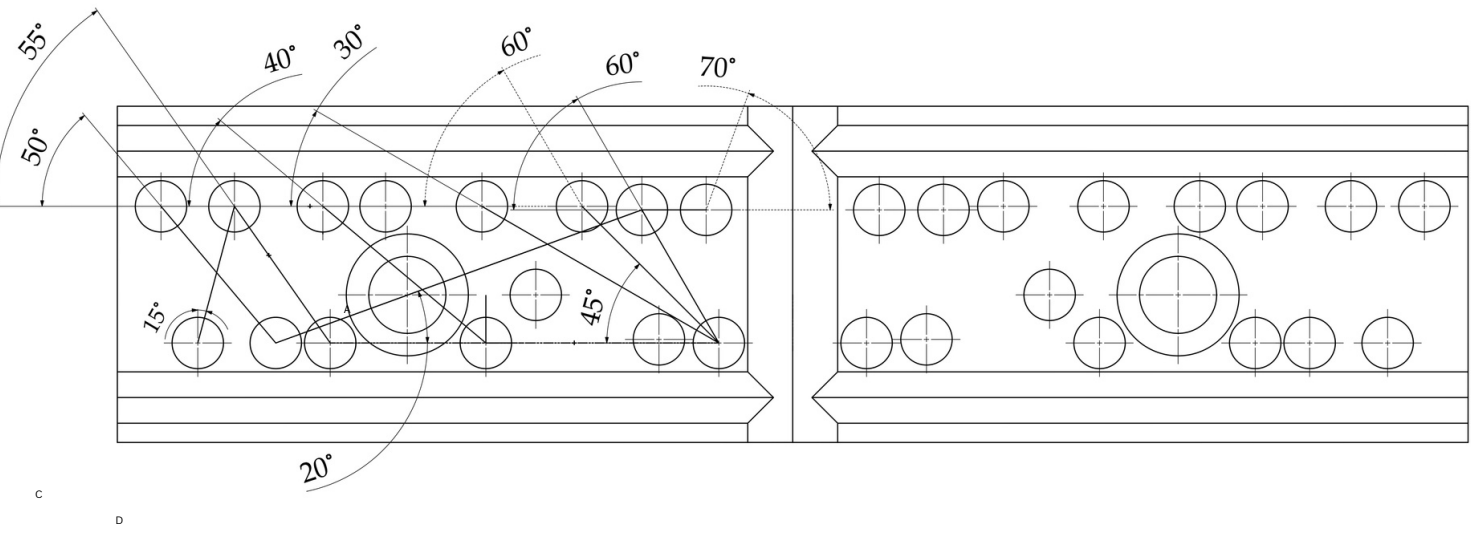
COMPACT MACHINE VISE 6"JAW OPENED 155mm

**Order No. & Dimension
(mm)**

ORDER NO	A	B	C	D	E	F	G	H	MAX. Clamp Force (kgf)	G.W. (kgs)	CODE NO.
ET 02	430	150	518	172	111	55	N/A	N/A	2500	35	ET-6PM



ENGEETECH SPARE PART



MECHANICAL USEING

**SUIT FOR PROCESSING OF
BRASS, AL, PLASTIC, STEEL,
CASTING**

Features

- Can take any angle
- You can take any chamfer
- Can also do tapered face
- Holes can be made in any degree
- Can maintain height

- STANDARD ACCESSORIES
- 1 Work Stopper
- 1 Ajdustable Handle

MECHANICAL TYPE

STANDARD MACHINE VISE 8"JAW OPENED 260mm

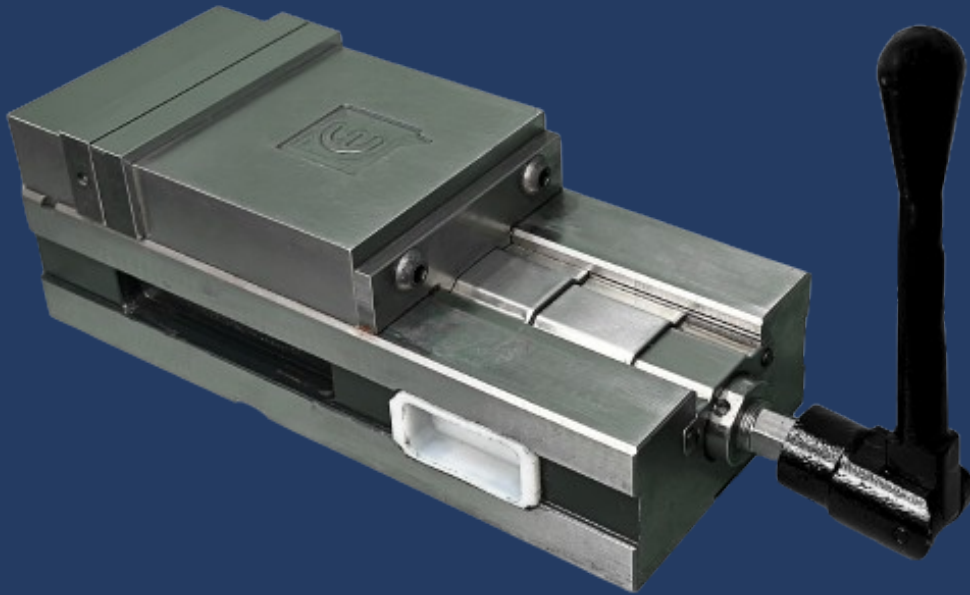
**Order No & Dimension
(mm)**

ORDER NO	A	B	C	D	E	F	G	H	MAX. Clamp Force (kgf)	G.W. (kgs)	CODE NO.
ET 8A	215	272	565	262	148	N/A	N/A	N/A	4000	60	ET-8A

**ENGEETECH
ENGINEERINGS**



ENGEETECH



ENGEETECH ENGINEERINGS

www.engeetechengineerings.com

Engeetech Engineerings

31-B Sector A sanwer Road Industrial Area Indore - 452015 Madhya Pradesh

engeetechengineerings@gmail.com

Contact us : +917314029366 , +919826024869 , +919826087246

www.engeetechengineerings.com